



C - PS



C - GGC



C - FSV



C - TMBV



C - FBV



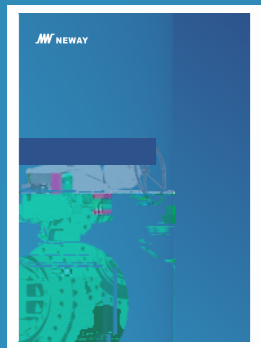
C - CBV



C - MMBV



C - FWBV



C - BFV



C - DOV

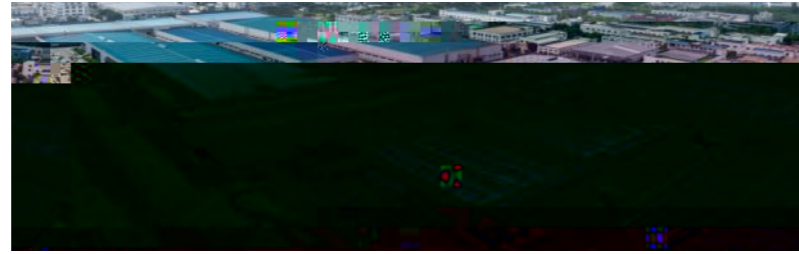


C - TOV

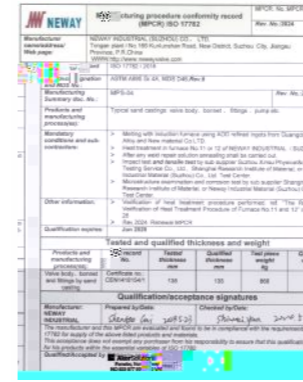


C - CPS





603699)



NORSOK



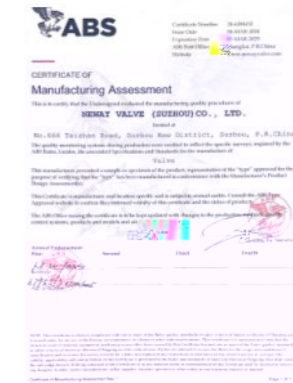
ISO9001



CE/PED



TA Luft



ABS



AD2000

1 1 3 1 1 230,000

Ansys Fe-safe CF-design SiemensPLM NX

SAP

80

ISO API

ISO 9001 , API 6A, API 6D, API 600

CE-PED AD2000 TA-Luft,

API 624, ISO 15848

API 607, API 6FA

8 BSM 3 R - G , F316 / 45666

① ② ③ ④ ⑤ ⑥ ⑦

①

in	1/2	3/4	1	1-1/2	2	2-1/2	3	4	6	8	10	12
mm	15	20	25	40	50	65	80	100	150	200	250	300
in	14	16	18	20	24	26	28	30	32	34	36	40
mm	350	400	450	500	600	650	700	750	800	850	900	1000

in	1/2x3/8	3/4x1/2	1x3/4	1-1/2x1	2x1-1/2	2-1/2x2	3x2	4x3	6x4	8x6	10x8	12x10
mm	15x10	20x15	25x20	40x25	50x40	65x50	80x50	100x80	150x100	200x150	250x200	300x250
in	14x12	16x14	18x16	20x18	24x20	26x24	28x24	30x24	32x30	34x30	36x30	40x36
mm	350x300	400x350	450x400	500x450	600x500	650x600	700x600	750x600	800x750	850x750	900x750	1000x900

②

BM		BSM	
BBM		BSK	(0)
			(0 +)

③ &

		(Mpa)			(Mpa)
1	150	2	8	800	14
3	300	5	9	900	15
4	400	6.8	15	1500	25
6	600	10	25	2500	42

④

R		B		N	NPT
J	RTJ法兰	S		SN	() / ()

⑤

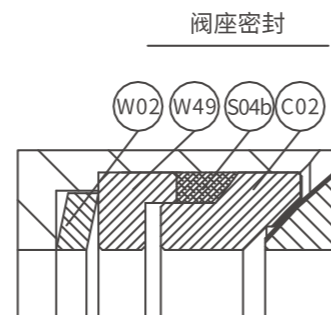
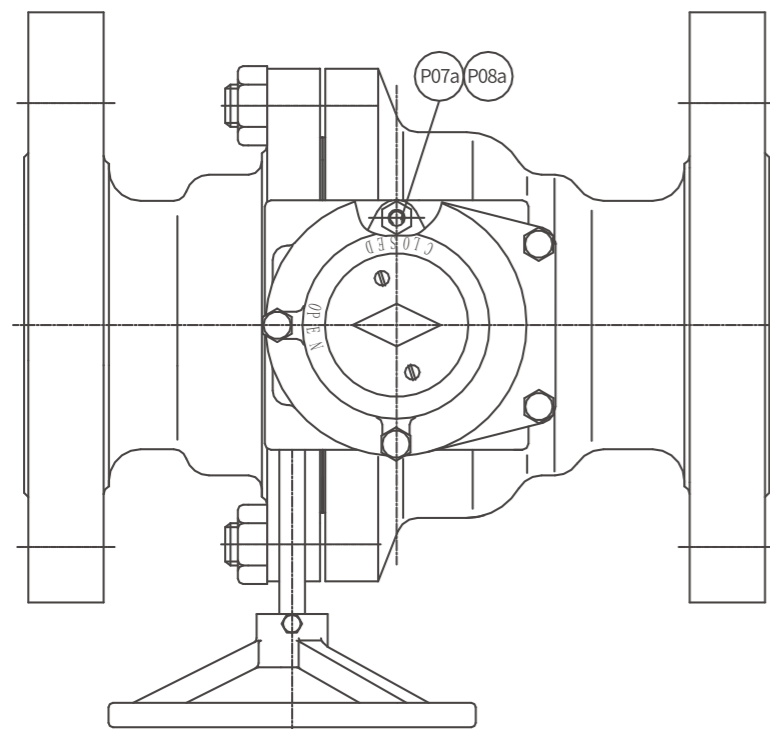
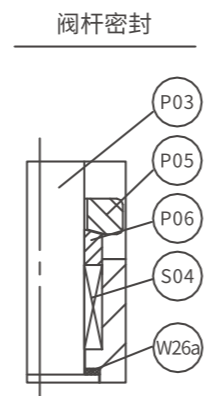
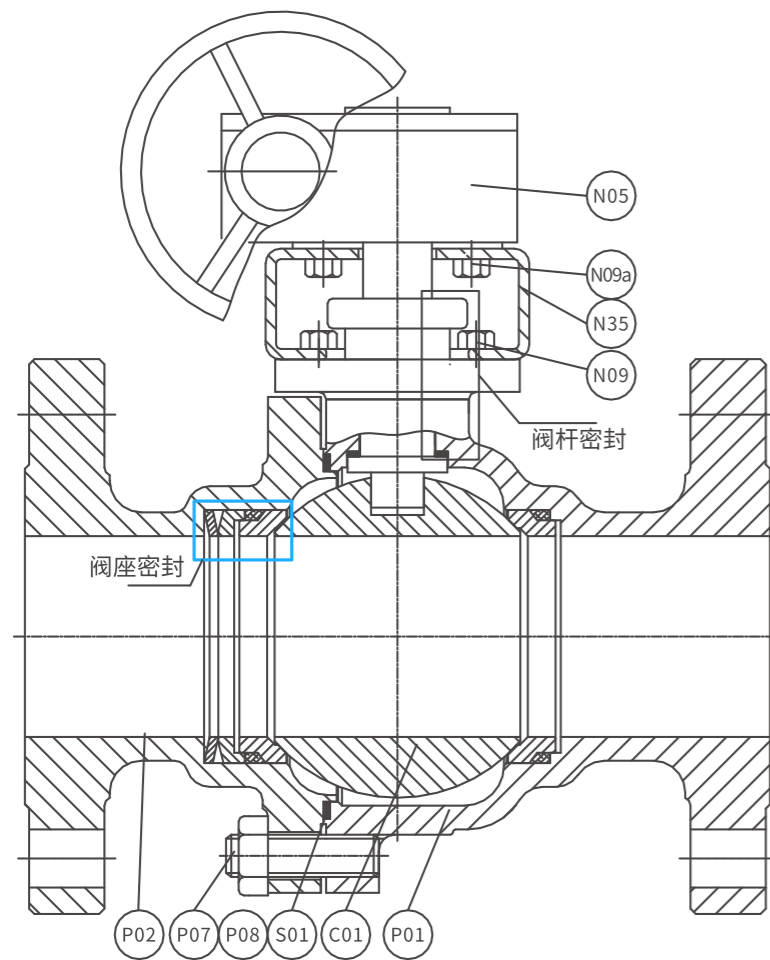
G		BS	
M		H	
P		L	
		D	

⑥

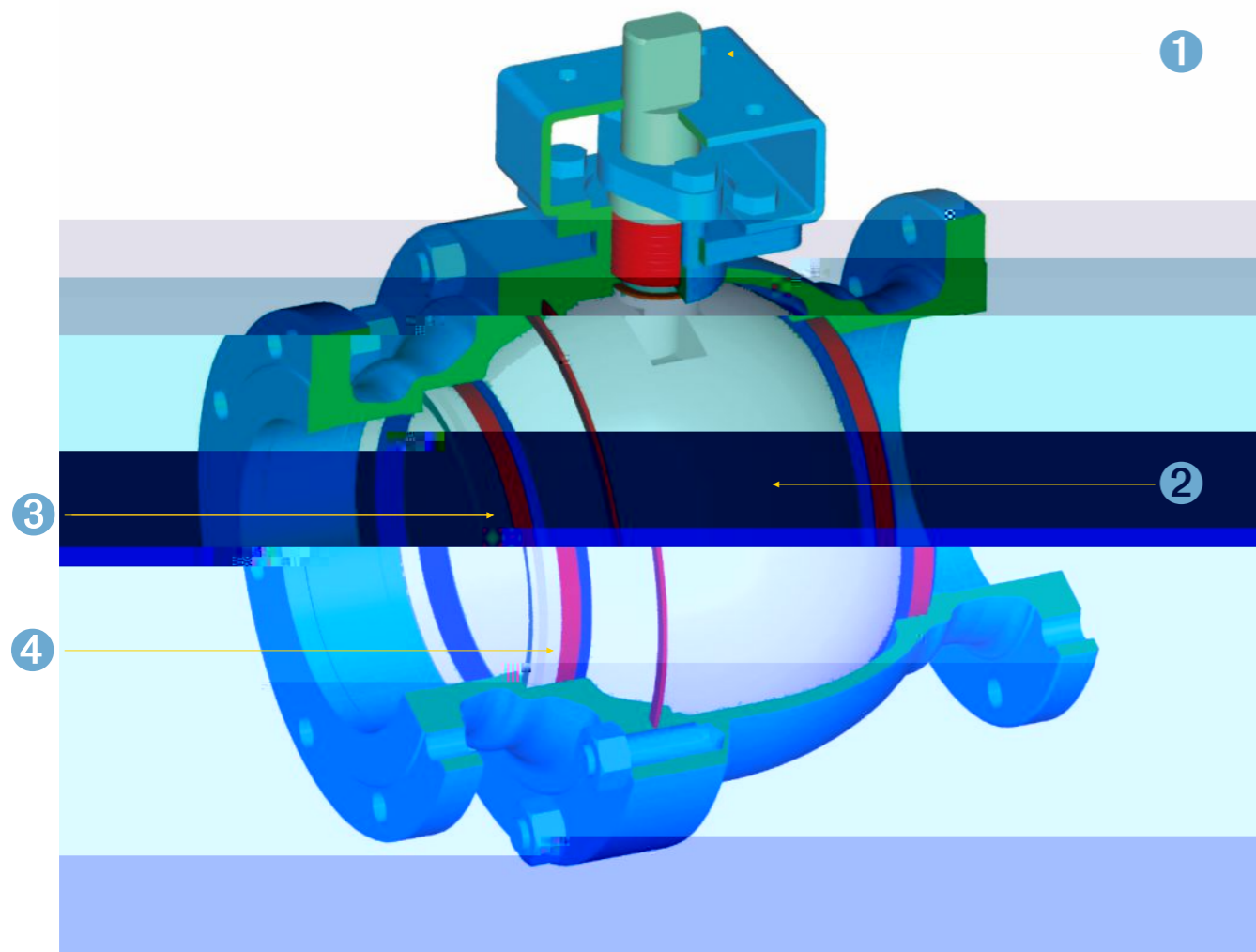
	WCB	LCB	CF8	CF8M	CF3	CF3M	4A
	A216 Gr.WCB	A352 Gr.WCB	A351 Gr.CFB	A351 Gr.CF8M	A351 Gr.CF3	A351 Gr.CF3M	A890 Gr.4A
	ASTM A105	LF2	F304	F316	F304L	F316L	F51
	ASTM A105	A350 Gr.LF2 Cl1	A182 Gr.F304	A182 Gr.F316	A182 Gr.F304L	A182 Gr.F316L	A182 Gr.F51

⑦

-WC	-WC	0	17-4PH	F6a
-NI60	NI55		F51	F304
-WC	-NI55		F53	A105N/ENP
	-Cr3C2-NiCr		Inconel 718	17-4PH
	-Cr3C2-NiCr		Monel k500	AISI 4140/ENP
	-WC	-NI60		F316
				F304L
				F316L
				LF2/ENP
				F51
				F51



P01	ASTM A105N	ASTM A182 F316
P02	ASTM A105N	ASTM A182 F316
P03	ASTM A705 630	ASTM A182 F51
P05	ASTMA216 WCB	ASTM A351 CF8M
P06	ASTM A276 316/316L	ASTM A276 316/316L
P07	ASTM A193 B7M	ASTM A193 B8M Cl2
P07a	ASTM A193 B7M	ASTM A193 B8M Cl2
P08	ASTM A194 2HM	ASTM A194 8M
P08a	ASTM A194 2HM	ASTM A194 8M
C01	ASTM A182 F316/F316L+WC	ASTM A182 F316/F316L+WC
C02	ASTM A182 F316/F316L+WC	ASTM A182 F316/F316L+WC
S01	316L+	316L+
S04		
S04b		
W02	ASTM B637 UNS N07750	ASTM B637 UNS N07750
W49	ASTM A182 F316/F316L	ASTM A182 F316/F316L
W26a	ASTM A240 316/316L+NITRIDING	ASTM A240 316/316L+NITRIDING
N05		
N09	ISO 898 8	ISO 3506 A2-70
N09a	ISO 898 8.8	ISO 3506 A2-70
N35	ASTM A572 Gr50	ASTM A572 Gr50

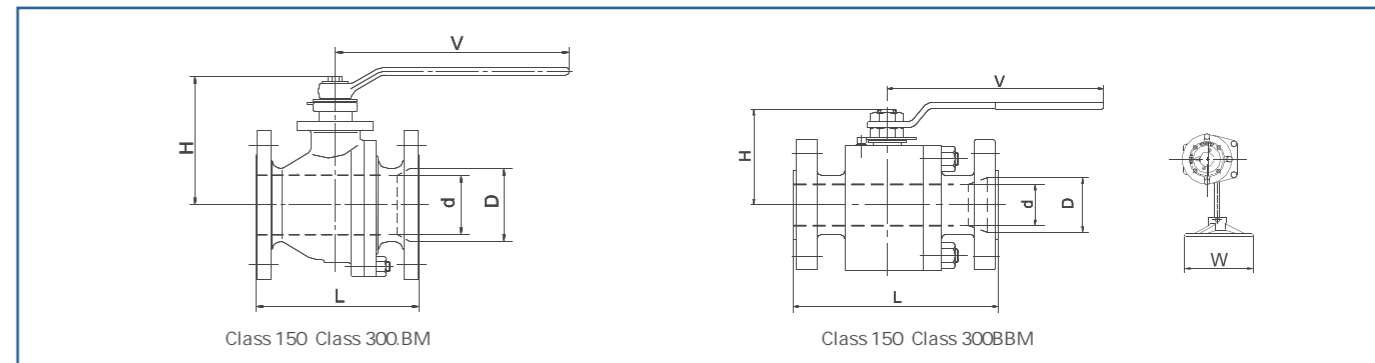


1 ISO 5211,

2

3

4



Class 150

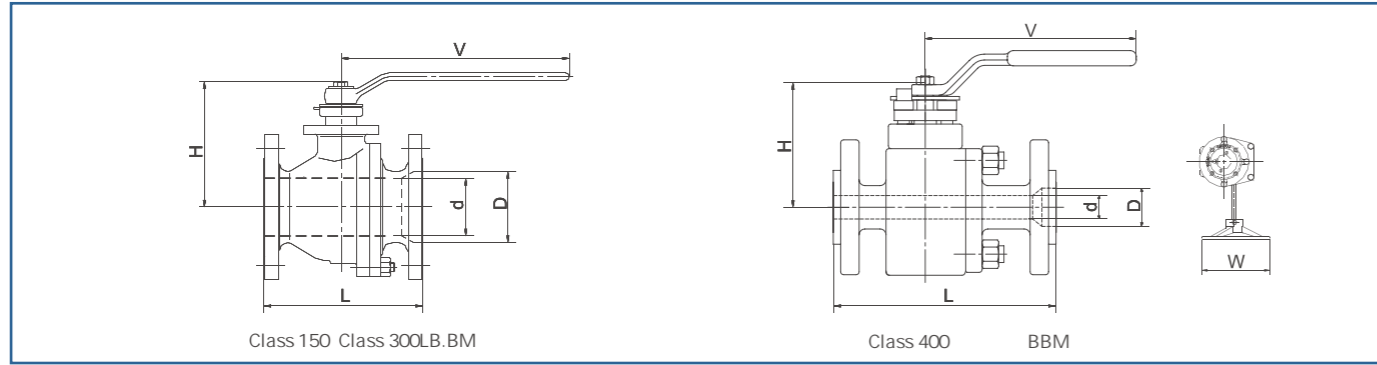
		D		L				H		W		V			
				RF		BW									
in	mm	in	mm	in	mm	in	mm	in	mm	in	mm	in	mm	lb	kg
1/2	15	0.51	13	4.25	108	5.49	139.5	2.23	56.6			5.51	140	4.41	2
3/4	20	0.75	19	4.61	117	6.00	152.5	2.32	59			5.51	140	6.61	3
1	25	0.98	25	5.00	127	6.50	165	3.29	83.5			8.46	215	8.82	4
1-1/2	40	1.50	38	6.50	165	7.52	191	4.63	117.5			10.43	265	17.64	8
2	50	2.01	51	7.01	178	8.50	216	5.15	130.8			16.93	430	22.05	10
3	80	2.99	76	7.99	203	11.14	283	6.90	175.3			41.73	1060	35.27	16
4	100	4.02	102	9.02	229	12.01	305	7.65	194.3			41.73	1060	88.18	40

Class 150

		D		d		L				H		W		V			
						RF		BW									
in	mm	in	mm	in	mm	in	mm	in	mm	in	mm	in	mm	in	mm	lb	kg
1/2*3/8	15*10	0.51	13	0.28	7	4.25	108	5.49	139.5	1.93	49			5.51	140	3.31	1.5
3/4*1/2	20*15	0.75	19	0.51	13	4.61	117	6.00	152.5	2.23	56.6			5.51	140	4.41	2
1*3/4	25*20	0.98	25	0.75	19	5.00	127	6.50	165	2.32	59			5.51	140	6.61	3
1-1/2*1	40*25	1.50	38	0.98	25	6.50	165	7.52	191	3.29	83.5			8.46	215	15.43	7
2*1-1/2	50*40	2.01	51	1.50	38	7.01	178	8.50	216	4.63	117.5			10.43	265	17.64	8
3*2	80*50	2.99	76	2.01	51	7.99	203	11.14	283	5.15	130.8			10.43	265	30.86	14
4*3	100*80	4.02	102	2.99	76	9.02	229	12.01	305	6.90	175.3			16.93	430	79.37	36

Class 300

		D		L				H		W		V			
				RF		BW									
in	mm	in	mm	in	mm	in	mm	in	mm	in	mm	in	mm	lb	kg
1/2	15	0.51	13	5.51	140	5.51	140	2.23	56.6			5.51	140	6.61	3
3/4	20	0.75	19	5.98	152	5.98	152	2.32	59			5.51	140	8.82	4
1	25	0.98	25	6.50	165	6.50	165	3.29	83.5			8.46	215	13.23	6
1-1/2	40	1.50	38	7.52	191	7.52	191	4.63	117.5			10.43	265	24.25	11
2	50	2.01	51	8.50	216	8.50	216	5.15	130.8			16.93	430	33.07	15
3	80	2.99	76	11.14	283	11.14	283	6.90	175.3			41.73	1060	103.62	47
4	100	4.02	102	12.01	305	12.01	305	10.04	255	11.81	300			149.91	68



Class 300

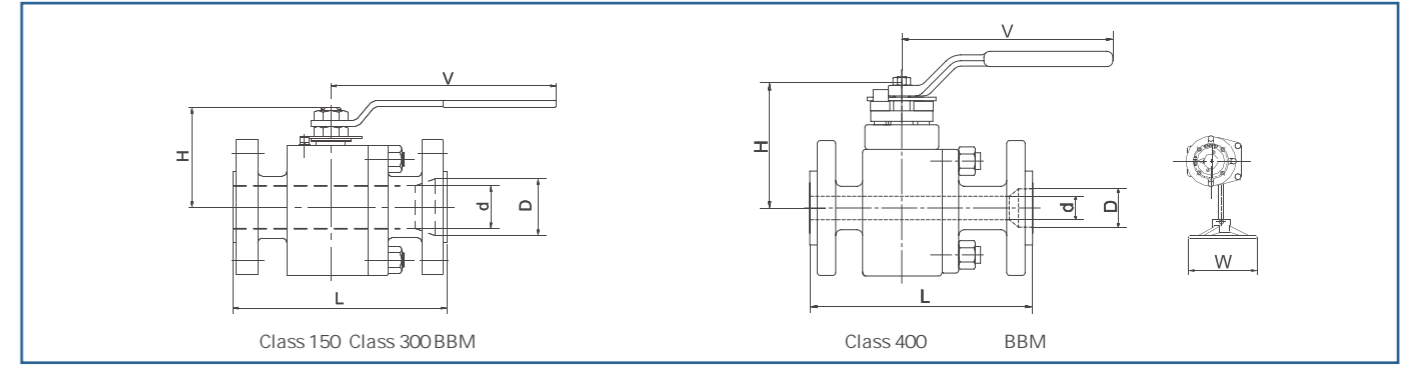
		D		d		L				H		W		V			
						RF		BW									
in	mm	in	mm	in	mm	in	mm	in	mm	in	mm	in	mm	in	mm	lb	kg
1/2	15	0.51	13	0.28	7	5.51	140	5.51	140	2.14	54.3			5.51	140	4.41	2
3/4	20	0.75	19	0.51	13	5.98	152	5.98	152	2.23	56.6			5.51	140	6.61	3
1	25	0.98	25	0.75	19	6.50	165	6.50	165	2.32	59			5.51	140	8.82	4
1-1/2	40	1.50	38	0.98	25	7.52	191	7.52	191	3.29	83.5			8.46	215	19.84	9
2	50	2.01	51	1.50	38	8.50	216	8.50	216	4.63	117.5			10.43	265	28.66	13
3	80	2.99	76	2.01	51	11.14	283	11.14	283	5.15	130.8			16.93	430	99.21	45
4	100	4.02	102	2.99	76	12.01	305	12.01	305	6.90	175.3			41.73	1060	143.30	65

Class 400

		D		d		L				H		W		V			
						RF		BW		RTJ							
in	mm	in	mm	in	mm	in	mm	in	mm	in	mm	in	mm	in	mm	lb	kg
1/2	15	0.51	13	6.50	165	6.50	165	6.46	164	3.86	98			5.91	150	8.82	4
3/4	20	0.75	19	7.52	191	7.52	191	7.52	191	4.53	115			7.09	180	13.23	6
1	25	0.98	25	8.50	216	8.50	216	8.50	216	4.74	120.5			10.43	265	24.25	11
1-1/2	40	1.50	38	9.49	241	9.49	241	9.49	241	6.26	159			11.81	300	55.11	25
2	50	2.01	51	11.50	292	11.50	292	11.61	295	11.34	288	11.81	300			110.23	50
3	80	2.99	76	14.02	356	14.02	356	14.13	359	11.89	302	15.75	400			121.25	55
4	100	4.02	102	15.98	406	15.98	406	16.14	410	12.60	320	23.62	600			414.46	188

Class 400

		D		d		L				H		W		V					
						RF		BW		RTJ									
in	mm	in	mm	in	mm	in	mm	in	mm	in	mm	in	mm	in	mm	lb	kg		
1/2	15	0.51	13	0.28	7	6.50	165	6.50	165	6.46	164	3.19	81			5.91	150	6.61	3
3/4	20	0.75	19	0.51	13	7.52	191	7.52	191	7.52	191	3.86	98			5.91	150	11.02	5
1	25	0.98	25	0.75	19	8.50	216	8.50	216	8.50	216	4.53	115			7.09	180	19.84	9
1-1/2	40	1.50	38	0.98	25	9.49	241	9.49	241	9.49	241	4.74	120.5			10.43	265	48.50	22
2	50	2.01	51	1.50	38	11.50	292	11.50	292	11.61	295	6.26	159			11.81	300	55.11	25
3	80	2.99	76	2.01	51	14.02	356	14.02	356	14.13	359	11.34	288	11.81	300			112.43	51
4	100	4.02	102	2.99	76	15.98	406	15.98	406	16.14	410	11.89	302	15.75	400			399.03	181



Class 600

		D		d		L				H		W		V			
						RF		BW		RTJ							
in	mm	in	mm	in	mm	in	mm	in	mm	in	mm	in	mm	in	mm	lb	kg
1/2	15	0.51	13	6.50	165	6.50	165	6.46	164	3.86	98			5.91	150	8.82	4
3/4	20	0.75	19	7.52	191	7.52	191	7.52	191	4.53	115			7.09	180	13.23	6
1	25	0.98	25	8.50	216	8.50	216	8.50	216	4.74	120.5			10.43	265	24.25	11
1-1/2	40	1.50	38	9.49	241	9.49	241	9.49	241	6.26	159			11.81	300	55.11	25
2	50	2.01	51	11.50	292	11.50	292	11.61	295	11.34	288	11.81	300			110.23	50
3	80	2.99	76	14.02	356	14.02	356	14.13	359	11.89	302	15.75	400			121.25	55
4	100	4.02	102	17.01	432	17.01	432	17.13	435	12.60	320	23.62	600			414.46	188

Class 600

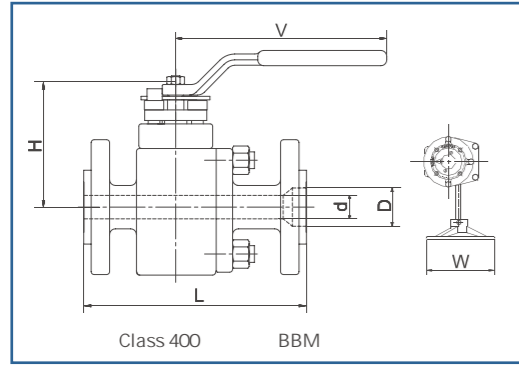
		D		d		L				H		W		V					
						RF		BW		RTJ									
in	mm	in	mm	in	mm	in	mm	in	mm	in	mm	in	mm	in	mm	lb	kg		
1/2	15	0.51	13	0.28	7	6.50	165	6.50	165	6.46	164	3.23	82			5.91	150	6.61	3
3/4	20	0.75	19	0.51	13	7.52	191	7.52	191	7.52	191	3.86	98			5.91	150	11.02	5
1	25	0.98	25	0.75	19	8.50	216	8.50	216	8.50	216	4.53	115			7.09	180	19.84	9
1-1/2	40	1.50	38	0.98	25	9.49	241	5.55	241	9.49	241	4.74	120.5			10.43	265	48.50	22
2	50	2.01	51	1.50	38	11.50	292	7.56	292	11.50	292	6.26	159			11.81	300	55.11	25
3	80	2.99	76	2.01	51	14.02	356	14.02	356	14.13	359	11.34	288	11.81	300			112.43	51
4	100	4.02	102	2.99	76	17.01	432	17.01	432	17.13	435	11.89	302	15.75	400			399.03	181

Class 900

		D		d		L				H		W		V			
						RF		BW		RTJ							
in	mm	in	mm	in	mm	in	mm	in	mm	in	mm	in	mm	in	mm	lb	kg
1/2	15	0.51	13	8.50	216	8.50	216	8.50	216	4.41	112			7.09	180	22.05	10
3/4	20	0.75	19	9.02	229	9.02	229	9.02	229	4.75	120.5			10.43	265	28.66	13
1	25	0.98	25	10.00	254	10.00	254	10.00	254	6.24	158.5			11.81	300	33.07	15
1-1/2	40	1.50	38	12.01	305	12.01	305	12.01	305	7.48	190			15.75	400	105.82	48
2	50	2.01	51	14.49	368	14.49	368	14.61	371	11.42	290	15.75	400			158.73	72

Class 900

		D		d		L				H		W		V					
						RF		BW		RTJ									
in	mm	in	mm	in	mm	in	mm	in	mm	in	mm	in	mm	in	mm	lb	kg		
1/2	15	0.51	13	0.28	7	8.50	216	8.50	216	8.50	216	4.17	106			6.50	165	17.64	8
3/4	20	0.75	19	0.51	13	9.02	229	9.02	229	9.02	229	4.41	112			7.09	180	19.84	9
1	25	0.98	25	0.75	19	10.00	254	10.00	254	10.00	254	4.74	120.5			10.43	265	26.46	12
1-1/2	40	1.50	38	0.98	25	12.01	305	12.01	305	12.01	305	6.24	158.5			11.81	300	30.86	14
2	50	2.01	51	1.50	38	14.49	368	14.49	368	14.61	371	7.49	190			15.75	400	99.21	45



Class 1500

		D		L						H		W		V			
				RF		BW		RTJ									
in	mm	in	mm	in	mm	in	mm	in	mm	in	mm	in	mm	in	mm	lb	kg
1/2	15	0.51	13	8.50	216	8.50	216	8.50	216	4.41	112			7.09	180	22.05	10
3/4	20	0.75	19	9.02	229	9.02	229	9.02	229	4.25	120.5			10.43	265	28.66	13
1	25	0.98	25	10.00	254	10.00	254	10.00	254	6.24	158.5			11.81	300	33.07	15
1-1/2	40	1.50	38	12.01	305	12.01	305	12.01	305	7.49	190			15.75	400	105.82	48
2	50	2.01	51	14.49	368	14.49	368	14.61	371	11.42	290	15.75	400			158.73	72

Class 1500

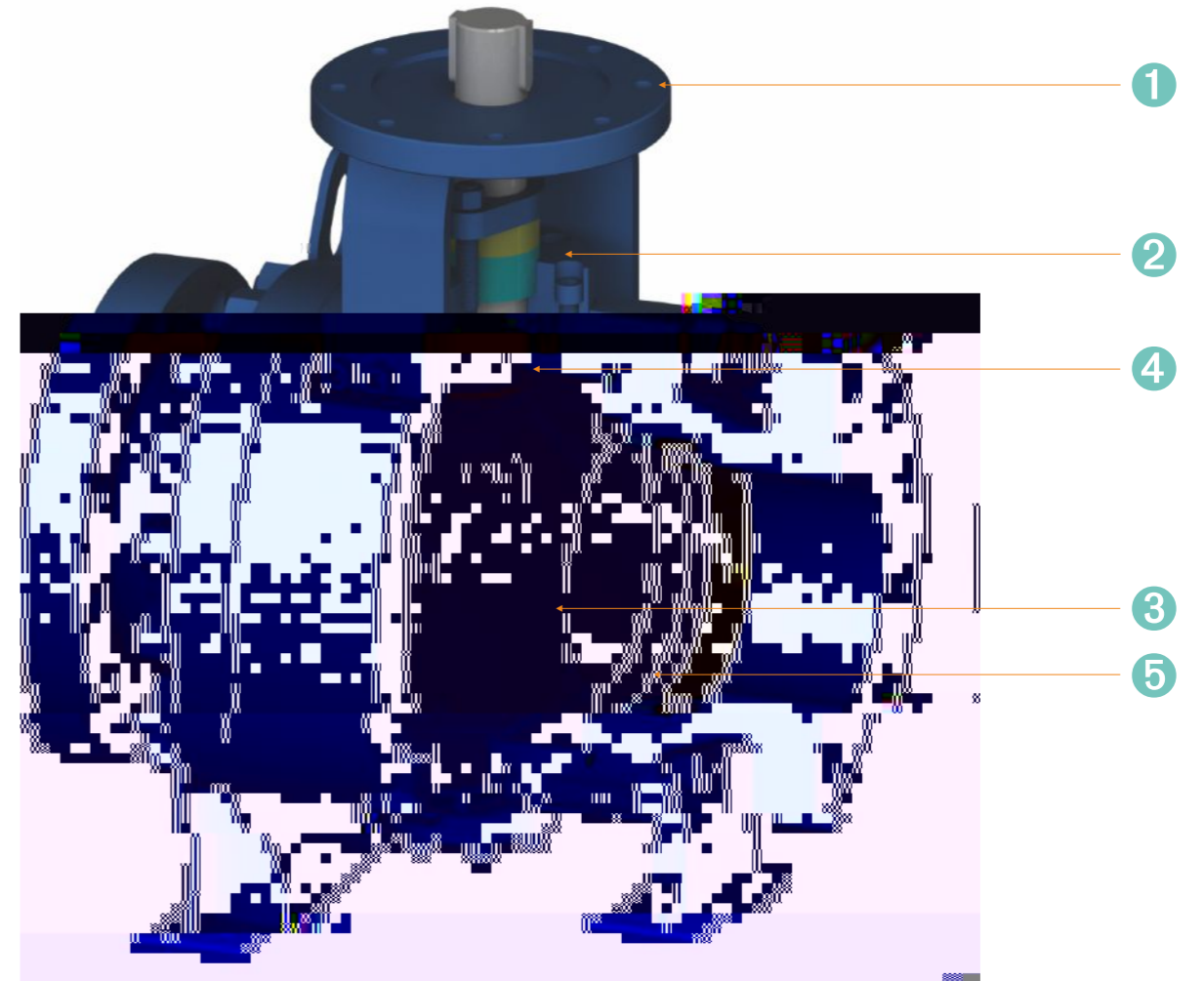
		D		d		L						H		W		V			
						RF		BW		RTJ									
in	mm	in	mm	in	mm	in	mm	in	mm	in	mm	in	mm	in	mm	in	mm	lb	kg
1/2*3/8	15*10	0.51	13	0.28	7	8.50	216	8.50	216	8.50	216	4.17	106			6.50	165	17.64	8
3/4*1/2	20*15	0.75	19	0.51	13	9.02	229	9.02	229	9.02	229	4.41	112			7.09	180	19.84	9
1*3/4	25*20	0.98	25	0.75	19	10.00	254	10.00	254	10.00	254	4.74	120.5			10.43	265	26.46	12
1-1/2*1	40*25	1.50	38	0.98	25	12.01	305	12.01	305	12.01	305	6.24	158.5			11.81	300	30.86	14
2*1-1/2	50*40	2.01	51	1.50	38	14.49	368	14.49	368	14.61	371	7.48	190			15.75	400	99.21	45

Class 2500

		D		L						H		W		V			
				RF		BW		RTJ									
in	mm	in	mm	in	mm	in	mm	in	mm	in	mm	in	mm	in	mm	lb	kg
1/2	15	0.51	13	10.39	264	10.39	264	10.39	264	4.53	115			7.09	180	26.46	12
3/4	20	0.75	19	10.75	273	10.75	273	10.75	273	4.65	118			10.43	265	35.27	16
1	25	0.98	25	12.13	308	12.13	308	12.13	308	6.97	177			11.81	300	41.89	19
1-1/2	40	1.50	38	14.49	368	14.49	368	14.49	368	8.03	204			15.75	400	108.02	49
2	50	1.65	42	17.76	451	17.76	451	17.87	454	11.73	298	15.75	400			169.75	77

Class 2500

		D		d		L						H		W		V			
						RF		BW		RTJ									
in	mm	in	mm	in	mm	in	mm	in	mm	in	mm	in	mm	in	mm	in	mm	lb	kg
1/2*3/8	15*10	0.51	13	0.28	7	10.39	264	10.39	264	10.39	264	3.70	94			6.30	160	19.84	9
3/4*1/2	20*15	0.75	19	0.51	13	10.75	273	10.75	273	10.75	273	4.53	115			7.09	180	26.46	12
1*3/4	25*20	0.98	25	0.75	19	12.13	308	12.13	308	12.13	308	4.65	118			10.43	265	34.17	15.5
1-1/2*1	40*25	1.50	38	0.98	25	14.49	368	14.49	368	14.49	368	6.97	177			11.81	300	92.59	42
2*1-1/2	50*40	1.65	42	1.50	38	17.76	451	17.76	451	17.87	454	8.03	204			15.75	400	152.12	69



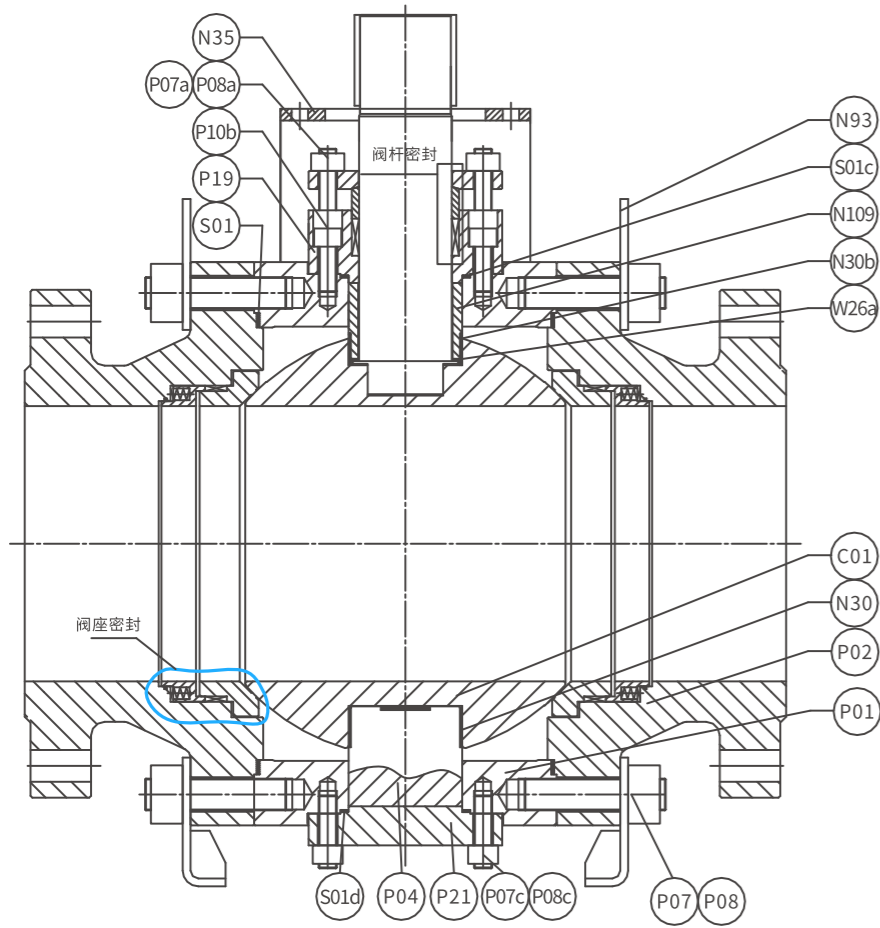
1 ISO 5211

2

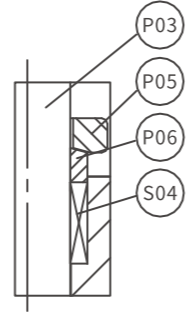
3

4

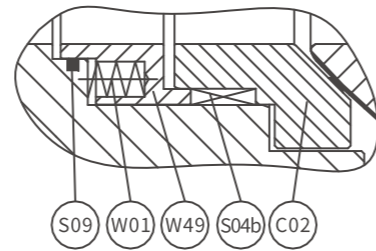
5



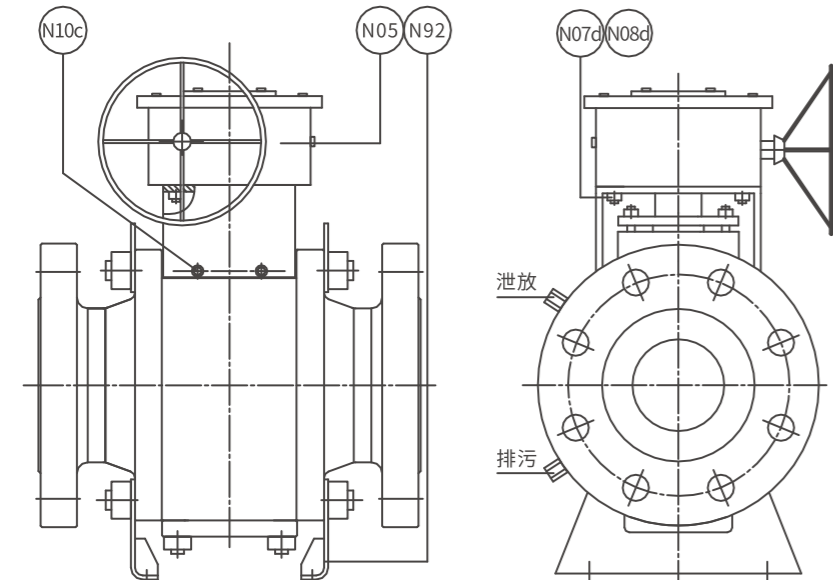
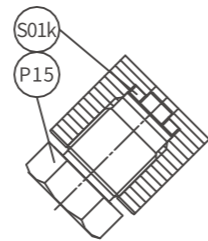
阀杆密封



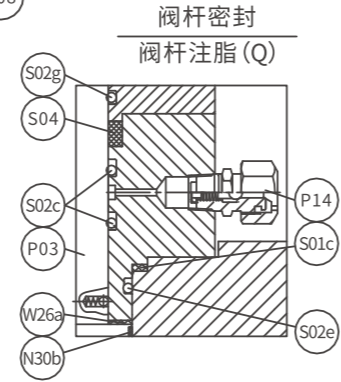
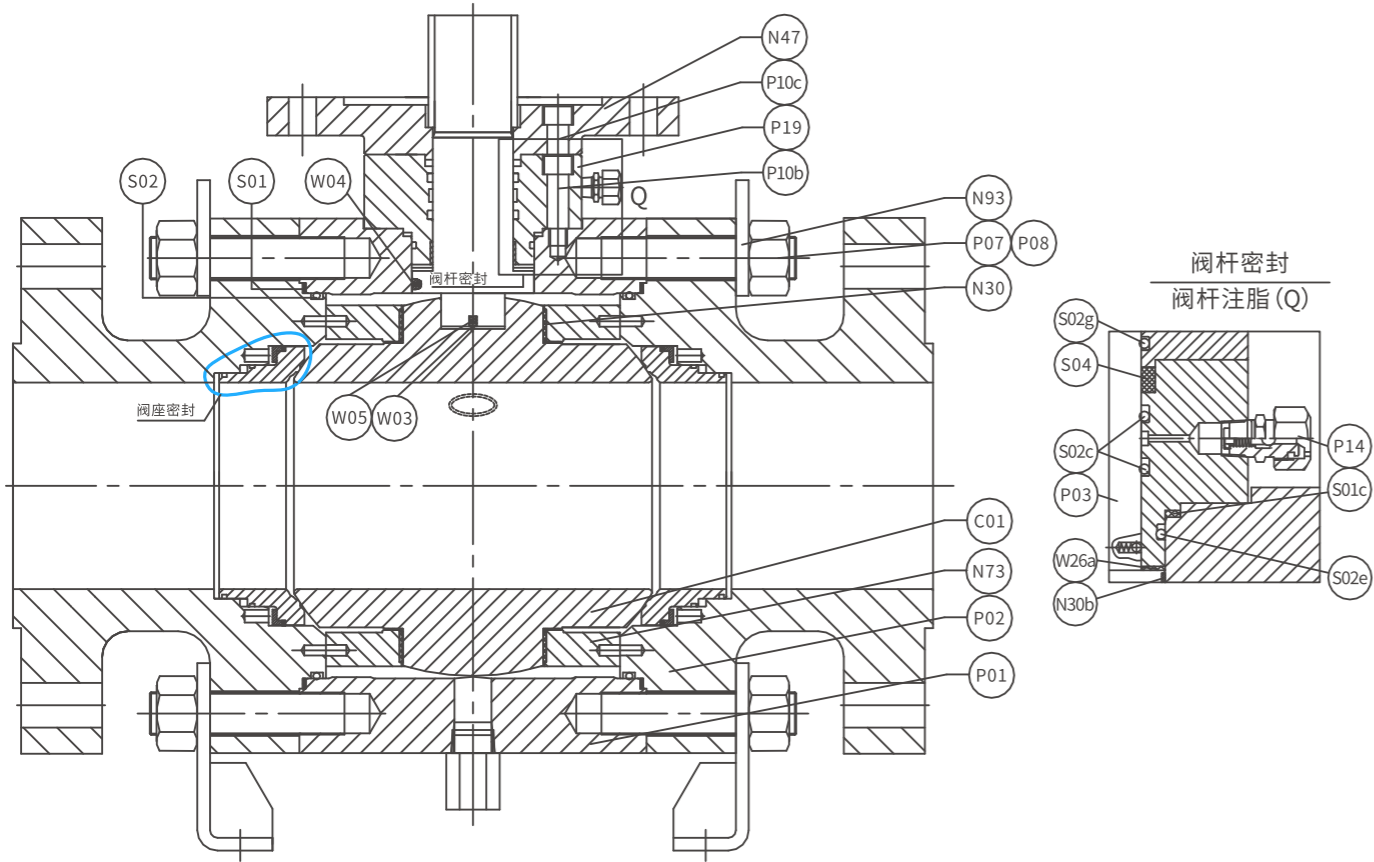
阀座密封



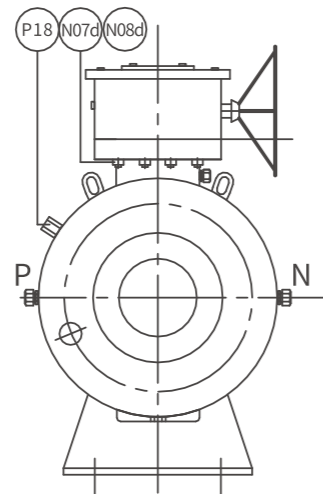
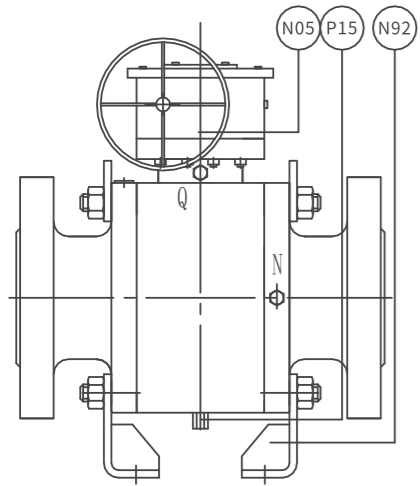
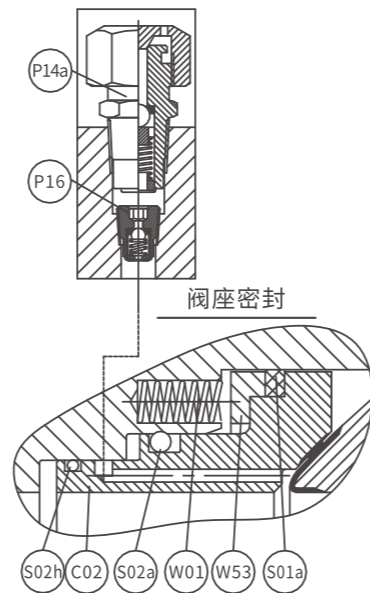
排污/泄放



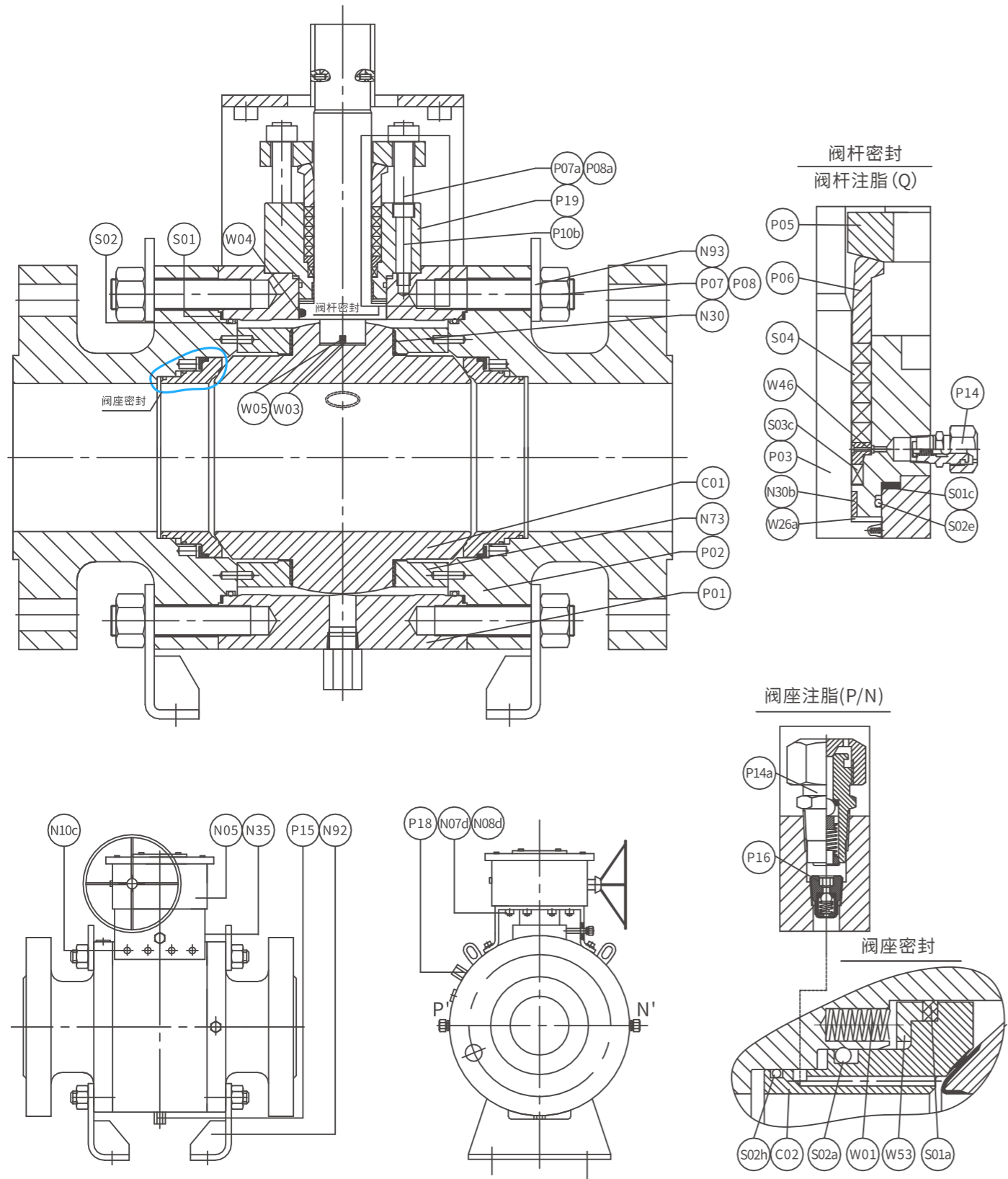
P01	ASTM A105N	ASTM A182 F316
P02	ASTM A105N	ASTM A182 F316
P03	ASTM A705 630	ASTM A182 F51
P04	ASTM A705 630	ASTM A182 F51
P05	ASTM A216 WCB	ASTM A351 CF8M
P06	ASTM A276 316/316L	ASTM A276 316/316L
P07	ASTM A193 B7M	ASTM A193 B8M Cl2
P07a	ASTM A193 B7M	ASTM A193 B8M Cl2
P07c	ASTM A193 B7M	ASTM A193 B8M Cl2
P08	ASTM A194 2HM	ASTM A194 8M
P08a	ASTM A194 2HM	ASTM A194 8M
P08c	ASTM A194 2HM	ASTM A194 8M
P10b	ASTM A193 B7M	ASTM A193 B8M Cl2
P15	ASTM A182 F316/F316L	ASTM A182 F316/F316L
P19	ASTM A105N	ASTM A182 F316/F316L
P21	ASTM A105N	ASTM A182 F316/F316L
C01	ASTM A182 F316/F316L+WC	ASTM A182 F316/F316L+WC
C02	ASTM A182 F316/F316L+WC	ASTM A182 F316/F316L+WC
S01	316L+	316L+
S01c	316L+	316L+
S01d	316L+	316L+
S01k	316L+	316L+
S04		
S04b		
S09		
W01	ASTM B637 UNS N07750	ASTM B637 UNS N07750
W49	ASTM A182 F316/F316L	ASTM A182 F316/F316L
W26a	ASTM A240 316/316L+NITRIDING	ASTM A240 316/316L+NITRIDING
N05		
N07d	ISO 898 8.8	ISO 3506 A2-70
N08d	ISO 898 8	ISO 3506 A2-70
N10c	ISO 898 8.8	ISO 3506 A2-70
N30	ASTM A240 316/316L+NITRIDING	ASTM A240 316/316L+NITRIDING
N30b	ASTM A240 316/316L+NITRIDING	ASTM A240 316/316L+NITRIDING
N35	ASTM A572 Gr50	ASTM A572 Gr50
N93	ASTM A572 Gr50	ASTM A572 Gr50
N92	ASTM A572 Gr50	ASTM A572 Gr50
N109	ASTM A705 630	ASTM A182 F51



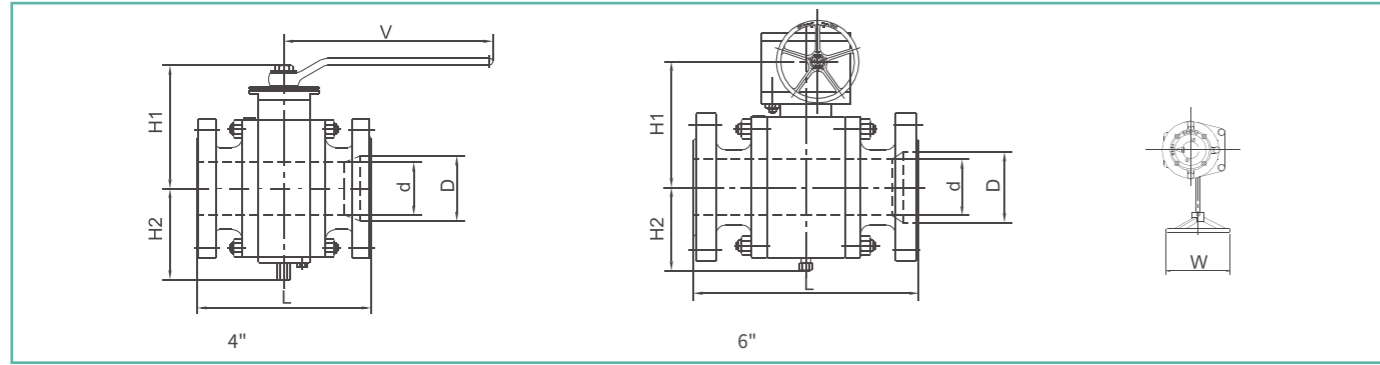
阀座注脂(P/N)



P01		ASTMA105N	ASTMA182 F316
P02		ASTMA105N	ASTMA182 F316
P03		ASTMA705 630	ASTMA182 F51
P07		ASTMA193 B7M	ASTMA193 B8M C12
P08		ASTMA194 2HM	ASTMA194 8M
P10b		ASTMA193 B7M	ASTMA193 B8M C12
P10c		ASTMA193 B7M	ASTMA193 B8M C12
P14		ASTMA182 F316/F316L	ASTMA182 F316/F316L
P14a		ASTMA182 F316/F316L	ASTMA182 F316/F316L
P15		ASTMA182 F316/F316L	ASTMA182 F316/F316L
P16		ASTMA182 F316/F316L	ASTMA182 F316/F316L
P18		ASTMA182 F316/F316L	ASTMA182 F316/F316L
P19		ASTMA105N	ASTMA182 F316/F316L
C01		ASTMA182 F316/F316L+WC	ASTMA182 F316/F316L+WC
C02		ASTMA182 F316/F316L+WC	ASTMA182 F316/F316L+WC
S01		316L+	316L+
S01a		316L+	316L+
S01c		316L+	316L+
S02	O	FKM	FKM
S02a	O	FKM	FKM
S02c	O	FKM	FKM
S02e	O	FKM	FKM
S02g	O	FKM	FKM
S02h	O	FKM	FKM
S04			
W01		ASTM B637 UNS N07750	ASTM B637 UNS N07750
W03		ASTM A276 316	ASTM A276 316
W04		ASTM A276 316	ASTM A276 316
W05		ATSM A313 316	ATSM A313 316
W26a		RPTFE	RPTFE
W53		ASTMA182 F316/F316L	ASTMA182 F316/F316L
N05			
N07d		ISO 898 8.8	ISO 3506 A2-70
N08d		ISO 898 8	ISO 3506 A2-70
N30		316L+PTFE	316L+PTFE
N30b		316L+PTFE	316L+PTFE
N47		ASTMA105N	ASTMA182 F316/F316L
N73		ASTMA572 Gr50	ASTMA240 316/316L
N92		ASTMA572 Gr50	ASTMA572 Gr50
N93		ASTMA572 Gr50	ASTMA572 Gr50



P01		ASTMA105N	ASTMA182 F316
P02		ASTMA105N	ASTMA182 F316
P03		ASTMA705 630	ASTM A182 F51
P05		ASTM A216 WCB	ASTM A351 CF8M
P06		ASTM A276 316/316L	ASTM A276 316/316L
P07		ASTM A193 B7M	ASTM A193 B8M Cl2
P08		ASTM A194 2HM	ASTM A194 8M
P07a		ASTM A193 B7M	ASTM A193 B8M Cl2
P08a		ASTM A194 2HM	ASTM A194 8M
P10b		ASTM A193 B7M	ASTM A193 B8M Cl2
P14		ASTM A182 F316/F316L	ASTM A182 F316/F316L
P14a		ASTM A182 F316/F316L	ASTM A182 F316/F316L
P15		ASTM A182 F316/F316L	ASTM A182 F316/F316L
P16		ASTM A182 F316/F316L	ASTM A182 F316/F316L
P18		ASTM A182 F316/F316L	ASTM A182 F316/F316L
P19		ASTM A105N	ASTM A182 F316/F316L
C01		ASTM A182 F316/F316L+WC	ASTM A182 F316/F316L+WC
C02		ASTM A182 F316/F316L+WC	ASTM A182 F316/F316L+WC
S01		316L+	316L+
S01a		316L+	316L+
S01c		316L+	316L+
S02	O	FKM	FKM
S02a	O	FKM	FKM
S02e	O	FKM	FKM
S02h	O	FKM	FKM
S03c	LIPSEAL	PTFE+ELGILOY	PTFE+ELGILOY
S04			
W01		ASTM B637 UNS N07750	ASTM B637 UNS N07750
W03		ASTM A276 316	ASTM A276 316
W04		ASTM A276 316	ASTM A276 316
W05		ATSM A313 316	ATSM A313 316
W26a		RPTFE	RPTFE
W46		ASTM A276 316/316L	ASTM A276 316/316L
W53		ASTM A182 F316/F316L	ASTM A182 F316/F316L
N05			
N07d		ISO 898 8.8	ISO 3506 A2-70
N08d		ISO 898 8	ISO 3506 A2-70
N10c		ISO 898 8.8	ISO 3506 A2-70
N30		316L+PTFE	316L+PTFE
N30b		316L+PTFE	316L+PTFE
N35		ASTM A572 Gr50	ASTM A572 Gr50
N73		ASTM A572 Gr50	ASTM A240 316/316L
N92		ASTM A572 Gr50	ASTM A572 Gr50
N93		ASTM A572 Gr50	ASTM A572 Gr50

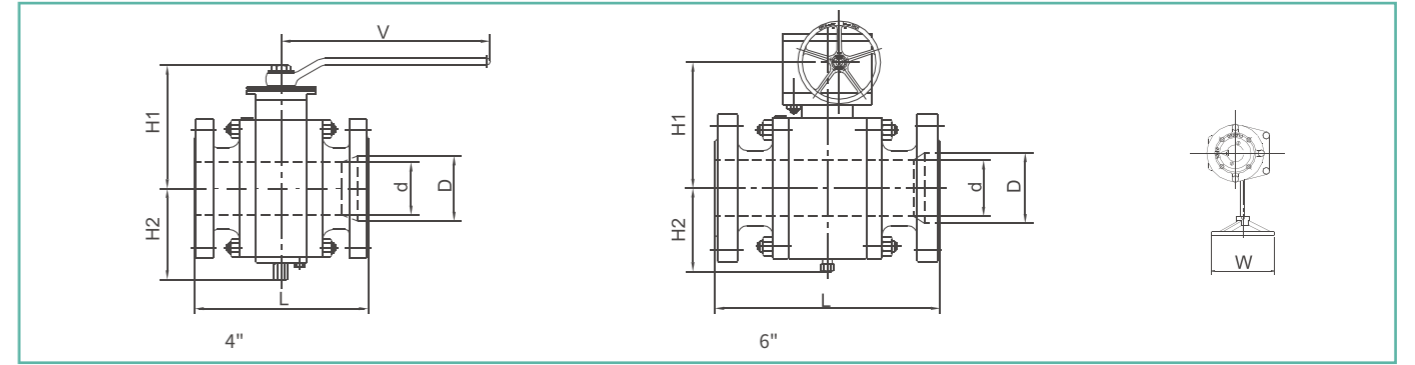


Class 150

		D		L				H1		H2		W		V			
				RF		BW											
in	mm	in	mm	in	mm	in	mm	in	mm	in	mm	in	mm	in	mm	lb	kg
2	50	1.93	49	7.01	178	8.50	216	4.25	108	3.54	90			11.22	285	40	18
3	80	2.91	74	7.99	203	11.14	283	11.02	280	4.33	110	11.81	300			66	30
4	100	3.94	100	9.02	229	12.01	305	11.61	295	5.51	140	11.81	300			229	104
6	150	5.91	150	15.51	394	17.99	457	14.41	366	6.89	175	19.69	500			430	195
8	200	7.91	201	17.99	457	20.51	521	20.16	512	7.48	190	23.62	600			866	393
10	250	9.92	252	20.98	533	22.01	559	23.23	590	9.06	230	23.62	600			1113	505
12	300	11.93	303	24.02	610	25.00	635	26.22	666	11.61	295	27.56	700			1598	725
14	350	13.15	334	27.01	686	30.00	762	29.92	760	14.17	360	27.56	700			1984	900
16	400	15.16	385	30.00	762	32.99	838	32.68	830	16.73	425	29.92	760			2756	1250
18	450	17.17	436	34.02	864	35.98	914	36.22	920	18.50	470	29.92	760			4134	1875
20	500	19.17	487	35.98	914	39.02	991	39.49	1003	20.87	530	29.92	760			5181	2350
22	550	21.18	538	39.02	991	39.02	991	41.65	1058	23.43	595	29.92	760			6834	3100
24	600	23.19	589	42.01	1067	45.00	1143	43.90	1115	25.98	660	29.92	760			8609	3905
28	700	26.93	684	49.02	1245	52.99	1346	46.06	1170	28.54	725	29.92	760			12743	5780
30	750	28.94	735	50.98	1295	55.00	1397	48.23	1225	31.69	805	29.92	760			17163	7785
32	800	30.67	779	54.02	1372	60.00	1524	50.79	1290	34.53	877	31.50	800			20205	9165
34	850	32.68	830	57.99	1473	64.02	1626	53.15	1350	36.46	926	31.50	800			23810	10800
36	900	34.41	874	60.00	1524	67.99	1727	55.12	1400	38.39	975	35.43	900			28704	13020
40	1000	38.43	976	67.99	1727	67.99	1727	67.72	1720	40.16	1020	35.43	900			39793	18050

Class 150

		D		d		L				H1		H2		W		V			
						RF		BW											
in	mm	in	mm	in	mm	in	mm	in	mm	in	mm	in	mm	in	mm	in	mm	lb	kg
2"1-1/2	50*40	1.93	49	1.50	38	7.01	178	8.50	216	4.13	105	2.95	75			13.78	350	33	15
3"2	80*50	2.91	74	1.93	49	7.99	203	11.14	283	4.25	108	3.54	90			11.22	285	55	25
4*3	100*80	3.94	100	2.91	74	9.02	229	12.01	305	11.02	280	4.33	110	11.81	300			190	86
6*4	150*100	5.91	150	3.94	100	15.51	394	17.99	457	11.61	295	5.51	140	11.81	300			276	125
8*6	200*150	7.91	201	5.91	150	17.99	457	20.51	521	14.41	366	6.89	175	19.69	500			518	235
10*8	250*200	9.92	252	7.91	201	20.98	533	22.01	559	20.16	512	7.48	190	23.62	600			1005	456
12*10	300*250	11.93	303	9.92	252	24.02	610	25.00	635	23.23	590	9.06	230	23.62	600			1323	600
14*12	350*300	13.15	334	11.93	303	27.01	686	30.00	762	26.22	666	11.61	295	27.56	700			1786	810
16*14	400*350	15.16	385	13.15	334	30.00	762	32.99	838	29.92	760	14.17	360	27.56	700			2238	1015
18*16	450*400	17.17	436	15.16	385	34.02	864	35.98	914	32.68	830	16.73	425	29.92	760			2976	1350
20*18	500*450	19.17	487	17.17	436	35.98	914	39.02	991	36.22	920	18.50	470	29.92	760			4378	1986
22*20	550*500	21.18	538	19.17	487	39.02	991	39.02	991	39.49	1003	20.87	530	29.92	760			6173	2800
24*20	600*500	23.19	589	19.17	487	42.01	1067	45.00	1143	41.65	1058	23.43	595	29.92	760			7857	3564
28*24	700*600	26.93	684	23.19	589	49.02	1245	52.99	1346	43.90	1115	25.98	660	29.92	760			9535	4325
30*28	750*700	28.94	735	26.93	684	50.98	1295	55.00	1397	46.06	1170	28.54	725	29.92	760			14237	6458
32*30	800*750	30.67	779	28.94	735	54.02	1372	60.00	1524	48.23	1225	31.69	805	29.92	760			18569	8423
34*32	850*800	32.68	830	30.67	779	57.99	1473	64.02	1626	50.79	1290	34.53	877	31.50	800			21715	9850
36*32	900*800	34.41	874	30.67	779	60.00	1524	67.99	1727	53.15	1350	36.46	926	31.50	800			26786	12150
40*36	1000*900	38.43	976	34.41	874	73.03	1855	82.01	2083	57.48	1460	38.82	986	35.43	900			31415	14250

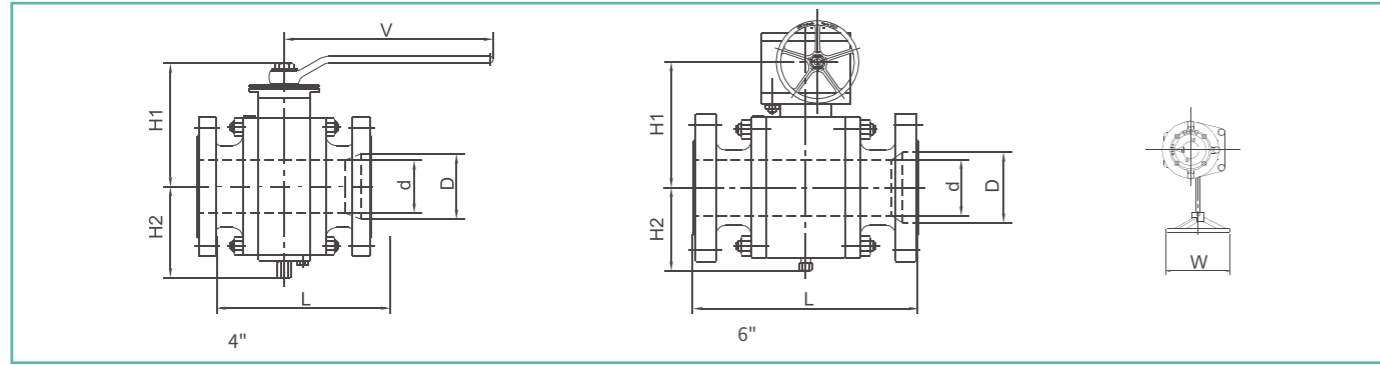


Class 300

		D		L				H1		H2		W		V			
				RF		BW											
in	mm	in	mm	in	mm	in	mm	in	mm	in	mm	in	mm	in	mm	lb	kg
2	50	1.93	49	8.50	216	8.50	216	4.23	107.5	3.54	90			11.22	285	51	23
3	80	2.91	74	11.14	283	11.14	283	11.02	280	4.33	110	11.81	300			77	35
4	100	3.94	100	12.01	305	12.01	305	12.05	306	5.51	140	19.69	500			229	104
6	150	5.91	150	15.87	403	15.87	403	14.41	366	6.89	175	19.69	500			474	215
8	200	7.91	201	19.76	502	20.51	521	21.69	551	7.48	190	27.56	700			853	387
10	250	9.92	252	22.36	568	22.01	559	24.57	624	9.84	250	27.56	700			1411	640
12	300	11.93	303	25.51	648	25.00	635	27.60	701	12.44	316	29.92	760			1900	862
14	350	13.15	334	30.00	762	30.00	762	30.94	786	15.67	398	29.92	760			2976	1350
16	400	15.16	385	32.99	838	32.99	838	33.46	850	19.29	490	29.92	760			3439	1560
18	450	17.17	436	35.98	914	35.98	914	35.83	910	19.69	500	31.50	800			4643	2106
20	500	19.17	487	39.02	991	39.02	991	37.01	940	20.87	530	31.50	800			6173	2800
22	550	21.18	538	42.99	1092	42.99	1092	39.84	1012	23.11	587	31.50	800			7500	3402
24	600	23.19	589	45.00	1143	45.00	1143	42.52	1080	25.00	635	31.50	800			9259	4200
28	700	26.93	684	52.99	1346	52.99	1346	49.21	1250	31.10	790	31.50	800			13889	6300
30	750	28.94	735	55.00	1397	55.00	1397	51.97	1320	33.70	856	35.43	900			18827	8540
32	800	30.67	779	60.00	1524	60.00	1524	55.12	1400	36.22	920	35.43	900			22343	10135
34	850	32.68	830	64.02	1626	64.02	1626	59.69	1516	37.20	945	39.37	1000			24802	11250
36	900	34.41	874	67.99	1727	67.99	1727	64.06	1627	38.78	985	39.37	1000			31305	14200
40	1000	38.43	976	75.98	1930	75.98	1930	67.91	1725	40.47	1028	39.37	1000			42989	19500

Class 300

		D		d		L				H1		H2		W		V			
						RF		BW											
in	mm	in	mm	in	mm	in	mm	in	mm	in	mm	in	mm	in	mm	in	mm	lb	kg
2"1-1/2	50*40	1.93	49	1.50	38	8.50	216	8.50	216	4.13	105	2.95	75			9.84	250	42	19
3"2	80*50	2.91	74	1.93	49	11.14	283	11.14	283	4.23	107.5	3.54	90			11.22	285	68	31
4*3	100*80	3.94	100	2.91	74	12.01	305	12.01	305	11.02	280	4.33	110	11.81	300			190	86
6*4	150*100	5.91	150	3.94	100	15.87	403	15.87	403	12.05	306	5.51	140	19.69	500			357	162
8*6	200*150	7.91	201	5.91	150	19.76	502	20.51	521	14.41	366	6.89	175	19.69	500			584	265
10*8	250*200	9.92	252	7.91	201	22.36	568	22.01	559	21.69	551	7.48	190	27.56	700			939	426
12*10	300*250	11.93	303	9.92	252	25.51	648	25.00	635	24.57	624	9.84	250	27.56	700			1499	680
14*12	350*300	13.15	334	11.9															

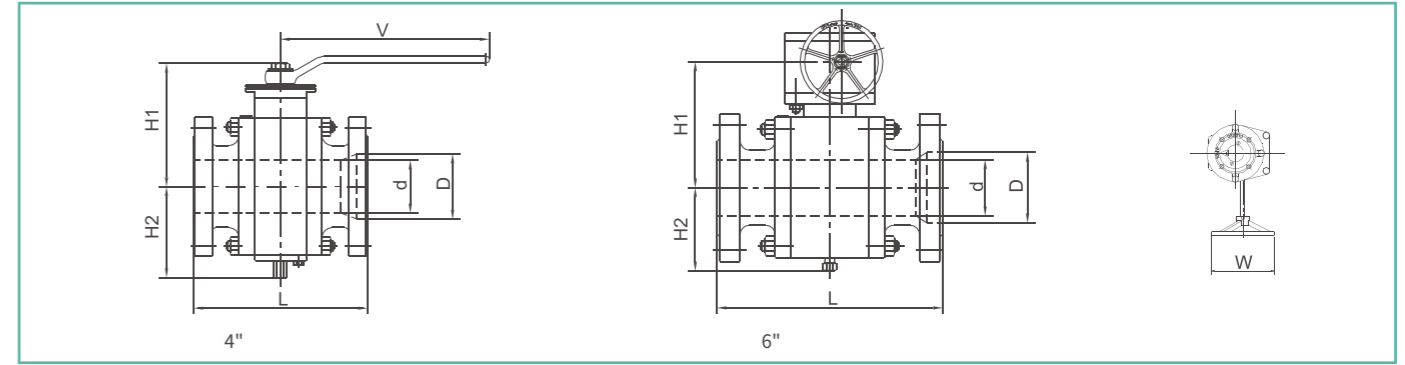


Class 400

		D		L						H1		H2		W		V			
				RF		BW		RTJ											
in	mm	in	mm	in	mm	in	mm	in	mm	in	mm	in	mm	in	mm	in	mm	lb	kg
2	50	1.93	49	11.50	292	11.50	292	11.61	295	10.43	265	6.42	163	15.75	400			106	48
3	80	2.91	74	14.02	356	14.13	359	10.83	275	7.05	179	15.75	400					198	90
4	100	3.94	100	15.98	406	15.98	406	17.13	435	12.40	315	8.62	219	23.62	600			276	125
6	150	5.91	150	19.49	495	19.49	495	19.61	498	22.05	560	8.19	208	23.62	600			816	370
8	200	7.91	201	23.50	597	23.50	597	23.62	600	27.17	690	9.65	245	23.62	600			1499	680
10	250	9.92	252	26.50	673	26.50	673	26.61	676	24.92	633	12.05	306	23.62	600			2271	1030
12	300	11.93	303	30.00	762	30.00	762	30.12	765	26.18	665	13.74	349	29.92	760			2976	1350
14	350	13.15	334	32.52	826	32.52	826	32.64	829	24.37	619	15.75	400	27.56	700			4078	1850
16	400	15.16	385	35.51	902	35.51	902	35.63	905	29.06	738	17.72	450	29.92	760			4740	2150
18	450	17.17	436	38.50	978	38.50	978	38.62	981	30.83	783	19.76	502	35.43	900			6250	2835
20	500	19.17	487	41.50	1054	41.50	1054	41.73	1060	33.39	848	22.28	566	35.43	900			8025	3640
22	550	21.18	538	45.00	1143	45.00	1143	45.39	1153	37.56	954	23.31	592	39.37	1000			11728	5320
24	600	23.19	589	48.50	1232	48.50	1232	48.86	1241	40.04	1017	25.63	651	39.37	1000			15829	7180
28	700	26.93	684	55.00	1397	55.00	1397	55.51	1410	41.65	1058	27.83	707	39.37	1000			21032	9540
30	750	28.94	735	60.00	1524	60.00	1524	60.51	1537	44.69	1135	29.53	750	39.37	1000			23192	10520
32	800	30.67	779	65.00	1651	65.00	1651	65.63	1667	48.70	1237	30.94	786	43.54	1106			24802	11250
34	850	32.68	830	70.00	1778	70.00	1778	70.63	1794	51.34	1304	32.52	826	43.54	1106			28307	12840
36	900	34.41	874	74.02	1880	74.02	1880	73.82	1875	56.81	1443	35.51	902	43.54	1106			32518	14750
40	1000	38.43	976	85.43	2170	85.43	2170	85.43	2170	60.43	1535	38.86	987	43.54	1106			41226	18700

Class 400

		D		d		L						H1		H2		W		V			
						RF		BW		RTJ											
in	mm	in	mm	in	mm	in	mm	in	mm	in	mm	in	mm	in	mm	in	mm	in	mm	lb	kg
2"1-1/2	50*40	1.93	49	1.50	38	11.50	292	11.50	292	11.61	295	8.11	206	5.71	145	15.75	400			88	40
3"2	80*50	2.91	74	1.93	49	14.02	356	14.02	356	14.13	359	10.43	265	6.42	163	15.75	400			168	76
4"3	100*80	3.94	100	2.91	74	15.98	406	15.98	406	17.13	435	10.83	275	7.05	179	15.75	400			231	105
6"4	150*100	5.91	150	3.94	100	19.49	495	19.49	495	19.61	498	12.40	315	8.62	219	23.62	600			617	280
8"6	200*150	7.91	201	5.91	150	23.50	597	23.50	597	23.62	600	22.05	560	8.19	208	23.62	600			1235	560
10"8	250*200	9.92	252	7.91	201	26.50	673	26.50	673	26.61	676	27.17	690	9.65	245	23.62	600			1653	750
12"10	300*250	11.93	303	9.92	252	30.00	762	30.00	762	30.12	765	24.92	633	12.05	306	23.62	600			2315	1050
14"12	350*300	13.15	334	11.93	303	32.52	826	32.52	826	32.64	829	26.18	665	13.74	349	29.92	760			3483	1580
16"14	400*350	15.16	385	13.15	334	35.51	902	35.51	902	35.63	905	24.37	619	15.75	400	27.56	700			4431	2010
18"16	450*400	17.17	436	15.16	385	38.50	978	38.50	978	38.62	981	29.06	738	17.72	450	29.92	760			5401	2450
20"18	500*450	19.17	487	17.17	436	41.50	1054	41.50	1054	41.73	1060	30.83	783	19.76	502	35.43	900			6702	3040
22"20	550*500	21.18	538	19.17	487	45.00	1143	45.00	1143	45.39	1153	33.39	848	22.28	566	35.43	900			10053	4580
24"20	600*500	23.19	589	19.17	487	48.50	1232	48.50	1232	48.86	1241	37.56	954	23.31	592	39.37	1000			13999	6350
28"24	700*600	26.93	684	23.19	589	55.00	1397	55.00	1397	55.51	1410	40.04	1017	25.63	651	39.37	1000			17670	8015
30"28	750*700	28.94	735	26.93	684	60.00	1524	60.00	1524	60.51	1537	41.65	1058	27.83	707	39.37	1000			22156	10050
32"30	800*750	30.67	779	28.94	735	65.00	1651	65.00	1651	65.63	1667	44.69	1135	29.53	750	39.37	1000			22222	10080
34"32	850*800	32.68	830	30.67	779	70.00	1778	70.00	1778	70.63	1794	48.70	1237	30.94	786	43.54	1106			24295	11020
36"32	900*800	34.41	874	30.67	779	74.02	1880	74.02	1880	73.82	1875	51.34	1304	32.52	826	43.54	1106			27337	12400
40"36	1000*900	38.43	976	34.41	874	85.43	2170	85.43	2170	85.43	2170	56.81	1443	35.51	902	43.54	1106			36486	16550

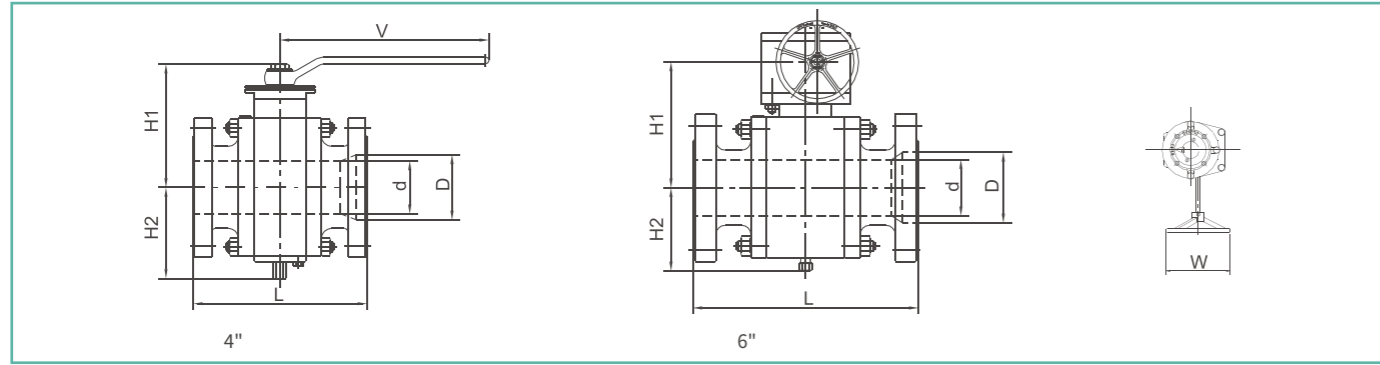


Class 600

		D		L						H1		H2		W		V			
				RF		BW		RTJ											
in	mm	in	mm	in	mm	in	mm	in	mm	in	mm	in	mm	in	mm	in	mm	lb	kg
2	50	1.93	49	11.50	292	11.50	292	11.61	295	10.43	265	6.42	163	15.75	400			106	48
3	80	2.91	74	14.02	356	14.02	356	14.13	359	10.83	275	7.05	179	15.75	400			198	90
4	100	3.94	100	17.01	432	17.01	432	17.13	435	12.40	315	8.62	219	23.62	600			331	150
6	150	5.91	150	22.01	559	22.01	559	22.13	562	22.05	560	8.19	208	23.62	600			970	440
8	200	7.91	201	25.98	660	25.98	660	26.14	664	27.17	690	9.65	245	23.62	600			1786	810
10	250	9.92	252	30.98	787	30.98	787	31.14	791	24.92	633	12.05	306	23.62	600			2723	1235
12	300	11.93	303	32.99	838	32.99	838	33.11	841	26.18	665	13.74	349	29.92	760			3571	1620
14	350	13.15	334	35.00	889	35.00	889	35.12	892	24.37	619	15.75	400	29.92	760			4486	2035
16	400	15.16	385	39.02	991	39.02	991	39.17	995	29.06	738	17.72	450	29.92	760			5688	2580
18	450	17.17	436	42.99	1092	42.99	1092	43.11	1095	30.83	783	19.76	502	35.43	900			7496	3400
20	500	19.17	487	47.01	1194	47.01	1194	47.24	1200	33.39	848	22.28	566	35.43	900			9612	4360
22	550	21.18	538	50.98	1295	50.98	1295	51.38	1305	37.56	954	23.31	592	39.37	1000			14065	6380
24	600	23.19	589	55.00	1397	55.00	1397	55.39	1407	40.04	1017	25.63	651	39.37	1000			18959	8600
28	700	26.93	684	60.98	1549	60.98	1549	61.50	1562	41.65	1058	27.83	707	39.37	1000			25000	11340
30	750	28.94	735	65.00	1651	65.00	1651	65.51	1664	44.69	1135	29.53	750	39.37	1000			27822	12620
32	800	30.67	779	70.00	1778	70.00	1778	70.63	1794	48.70	1237	30.94	786	43.54	1106			29762	13500
34	850	32.68	830	75.98	1930	75.98	1930	76.61	1946	51.34	1304	32.52	826	43.54	1106			33951	15400
36	900	34.41	874	82.01	2083	82.01	2083	82.56	2097	56.81	1443	35.51	902	43.54	1106			39021	17700
40	1000	38.43	976	85.43	2170	85.43	2170	85.43	2170	60.43	1535	38.86	987	43.54	1106			49383	22400

Class 600

		D		d		L						H1		H2		W		V			
						RF		BW		RTJ											
in	mm	in	mm	in	mm	in	mm	in	mm	in	mm	in	mm	in	mm	in	mm	in	mm	lb	kg
2"1-1/2	50*40	1.93	49																		



Class 900

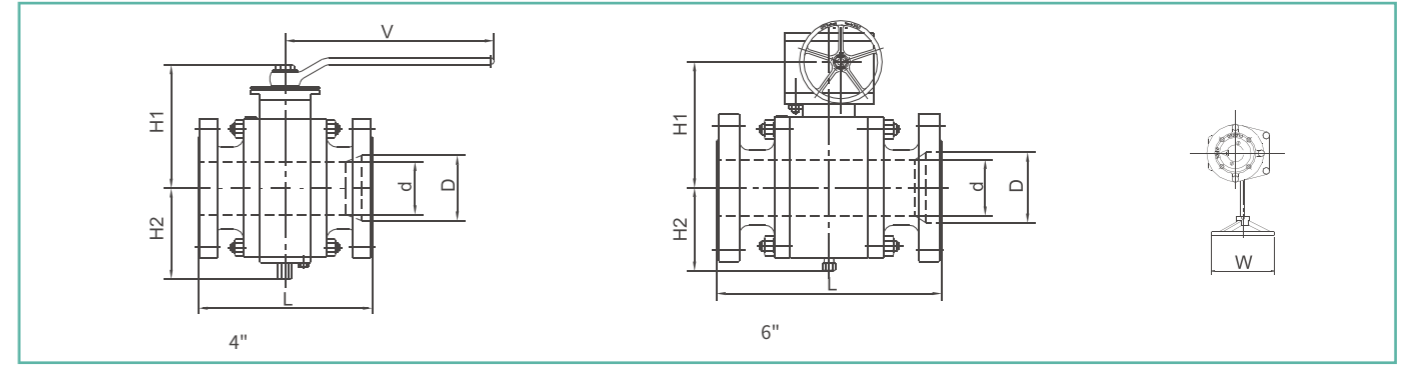
D		L			H1		H2		W		V						
in	mm	RF	BW	RTJ	in	mm	in	mm	in	mm	in	mm	lb	kg			
2	50	1.93	49	14.49	368	14.49	368	14.61	371	12.20	310	4.53	115	19.69	500	220	100
3	80	2.91	74	15.00	381	15.00	381	15.12	384	11.10	282	4.69	119	15.75	400	331	150
4	100	3.94	100	17.99	457	17.99	457	18.11	460	15.75	400	7.87	200	23.62	600	485	220
6	150	5.91	150	24.02	610	24.02	610	24.13	613	18.98	482	8.78	223	29.92	760	1168	530
8	200	7.91	201	29.02	737	29.02	737	29.13	740	19.76	502	12.87	327	29.92	760	1351	613
10	250	9.92	252	32.99	838	32.99	838	33.11	841	20.83	529	14.69	373	31.50	800	2394	1086
12	300	11.93	303	37.99	965	37.99	965	38.11	968	20.83	529	14.69	373	31.50	800	6085	2760
14	350	12.68	322	40.51	1029	40.51	1029	40.87	1038	20.83	529	14.69	373	31.50	800	6834	3100
16	400	14.69	373	44.49	1130	44.49	1130	44.88	1140	20.83	529	14.69	373	31.50	800	11376	5160
18	450	16.65	423	47.99	1219	47.99	1219	48.50	1232	20.83	529	14.69	373	31.50	800	16182	7340
20	500	18.54	471	52.01	1321	52.01	1321	52.52	1334	20.83	529	14.69	373	31.50	800	19892	9023

Class 900

D		L			H1		H2		W		V								
in	mm	RF	BW	RTJ	in	mm	in	mm	in	mm	in	mm	lb	kg					
2 1/2	50*40	1.93	49	1.50	38	14.49	368	14.49	368	14.61	371	8.54	217	4.69	119	15.75	400	157	71
3 1/2	80*50	2.91	74	1.93	49	15.00	381	15.00	381	15.12	384	12.20	310	4.53	115	19.69	500	220	100
4 1/2	100*80	3.94	100	2.91	74	17.99	457	17.99	457	18.11	460	11.10	282	4.69	119	15.75	400	331	150
6 1/2	150*100	5.91	150	3.94	100	24.02	610	24.02	610	24.13	613	15.75	400	7.87	200	23.62	600	485	220
8 1/2	200*150	7.91	201	5.91	150	29.02	737	29.02	737	29.13	740	18.98	482	8.78	223	29.92	760	1168	530
10 1/2	250*200	9.92	252	7.91	201	32.99	838	32.99	838	33.11	841	19.76	502	12.87	327	29.92	760	1351	613
12 1/2	300*250	11.93	303	9.92	252	37.99	965	37.99	965	38.11	968	20.83	529	14.69	373	31.50	800	2394	1086
14 1/2	350*300	12.68	322	11.93	303	40.51	1029	40.51	1029	40.87	1038	20.83	529	14.69	373	31.50	800	6085	2760
16 1/2	400*350	14.69	373	12.68	322	44.49	1130	44.49	1130	44.88	1140	20.83	529	14.69	373	31.50	800	6834	3100
18 1/2	450*400	16.65	423	14.69	373	47.99	1219	47.99	1219	48.50	1232	20.83	529	14.69	373	31.50	800	11376	5160
20 1/2	500*450	18.54	471	16.65	423	52.01	1321	52.01	1321	52.52	1334	20.83	529	14.69	373	31.50	800	16182	7340

Class 1500

D		L			H1		H2		W		V						
in	mm	RF	BW	RTJ	in	mm	in	mm	in	mm	in	mm	lb	kg			
2	50	1.93	49	14.49	368	14.49	368	14.61	371	12.20	310	4.92	125	19.69	500	271	123
3	80	2.91	74	18.50	470	18.50	470	18.62	473	14.17	360	6.69	170	23.62	600	516	234
4	100	3.94	100	21.50	546	21.50	546	21.61	549	16.93	430	7.09	180	23.62	600	902	409
6	150	5.67	144	27.76	705	27.76	705	27.99	711	21.46	545	12.28	312	29.92	760	1984	900
8	200	7.56	192	32.76	832	32.76	832	33.11	841	27.17	690	15.75	400	29.92	760	2873	1303
10	250	9.41	239	39.02	991	39.02	991	39.37	1000	29.13	740	19.13	486	29.92	760	5538	2512
12	300	11.30	287	44.49	1130	44.49	1130	45.12	1146	31.10	790	21.10	536	29.92	760	7275	3300
14	350	12.40	315	49.49	1257	49.49	1257	50.24	1276	33.58	853	23.27	591	35.43	900	8466	3840
16	400	14.17	360	54.49	1384	54.49	1384	55.39	1407	35.91	912	24.41	620	35.43	900	9524	4320
18	450	15.98	406	60.51	1537	60.51	1537	61.38	1559	37.40	950	26.97	685	39.37	1000	10935	4960
20	500	17.87	454	66.51	1664	66.51	1664	66.38	1686	38.58	980	27.56	700	39.37	1000	12125	5500



Class 1500

D		L			H1		H2		W		V								
in	mm	RF	BW	RTJ	in	mm	in	mm	in	mm	in	mm	lb	kg					
2 1/2	50*40	1.93	49	1.50	38	14.49	368	14.49	368	14.61	371	12.20	310	4.92	125	19.69	500	245	111
3 1/2	80*50	2.91	74	1.93	49	18.50	470	18.50	470	18.62	473	14.17	360	6.69	170	23.62	600	485	220
4 1/2	100*80	3.94	100	2.91	74	21.50	546	21.50	546	21.61	549	16.93	430	7.09	180	23.62	600	714	324
6 1/2	150*100	5.67	144	3.94	100	27.76	705	27.76	705	27.99	711	21.46	545	12.28	312	29.92	760	1814	823
8 1/2	200*150	7.56	192	5.67	144	32.76	832	32.76	832	33.11	841	27.17	690	15.75	400	29.92	760	2873	1303
10 1/2	250*200	9.41	239	7.56	192	39.02	991	39.02	991	39.37	1000	29.13	740	19.13	486	29.92	760	4630	2100
12 1/2	300*250	11.30	287	9.41	239	44.49	1130	44.49	1130	45.12	1146	31.10	790	21.10	536	29.92	760	6426	2915
14 1/2	350*300	12.40	315	11.30	287	49.49	1257	49.49	1257	50.24	1276	33.58	853	23.27	591	35.43	900	7551	3425
16 1/2	400*350	14.17	360	12.40	315	54.49	1384	54.49	1384	55.39	1407	35.91	912	24.41	620	35.43	900	8873	4025
18 1/2	450*400	15.98	406	14.17	360	60.51	1537	60.51	1537	61.38	1559	37.40	950	26.97	685	39.37	1000	10194	4624
20 1/2	500*450	17.87	454	15.98	406	65.51	1664	65.51	1664	66.38	1686	38.58	980	27.56	700	39.37	1000	11023	5000

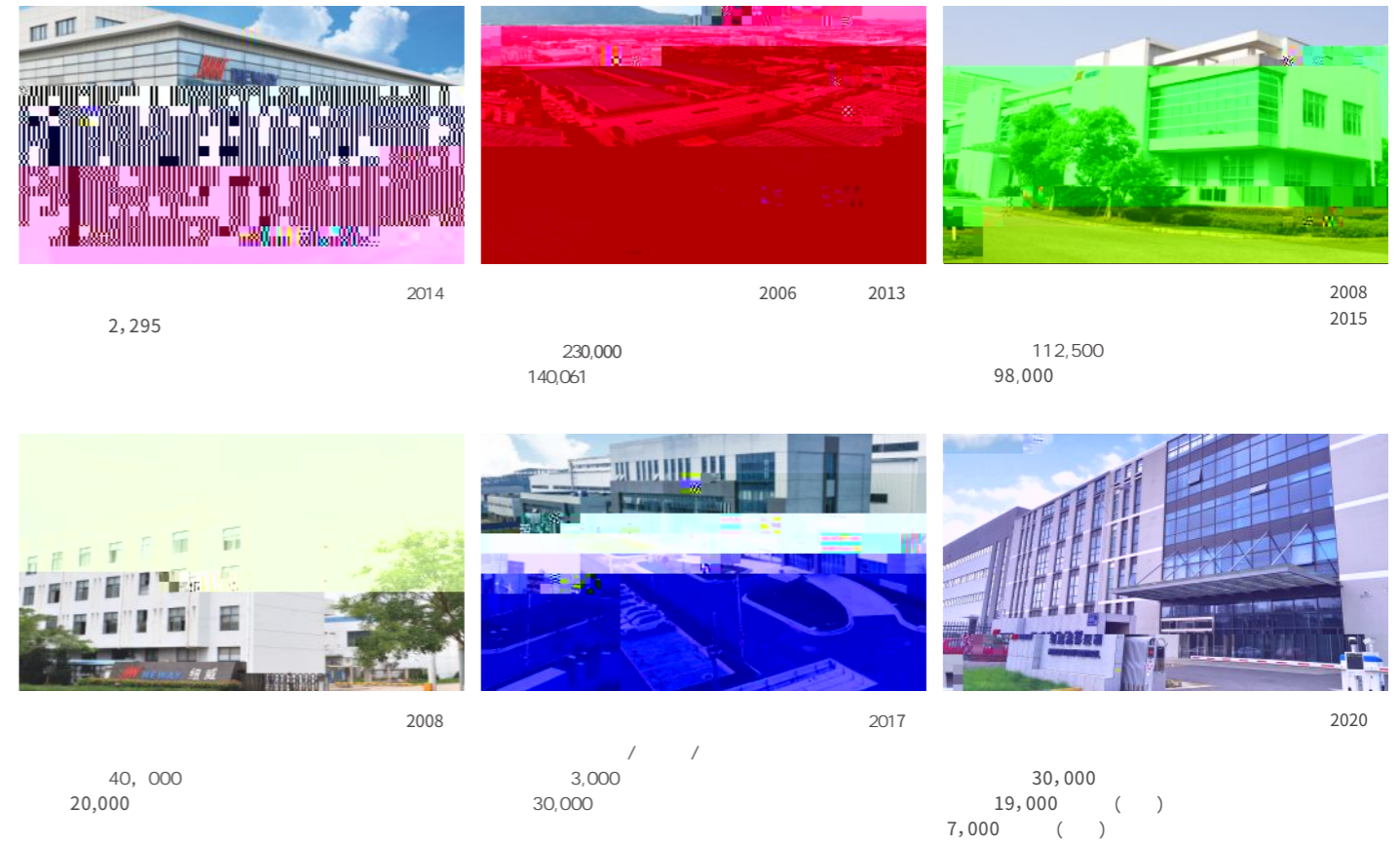
Class 2500

D		L			H1		H2		W		V						
in	mm	RF	BW	RTJ	in	mm	in	mm	in	mm	in	mm	lb	kg			
2	50	1.65	42	17.76	451	17.76	451	17.87	454	13.88	352.5	6.30	160	19.69	500	503	228
3	80	2.44	62	22.76	578	22.76	578	22.99	584	14.65	372	7.09	180	23.62	600	836	379
4	100	3.43	87	26.50	673	26.50	673	26.89	683	19.45	494	8.27	210	23.62	600	1248	566
6	150	5.16	131	35.98	914	35.98	914	36.50	927	26.69	678	14.96	380	29.92	760	2403	1090
8	200	7.05	179	40.24	1022	40.24	1022	40.87	1038	35.04	890	19.29	490	29.92	760	6195	2810
10	250	8.78	223	50.00	1270	50.00	1270	50.87	1292	37.64	956	19.76	502	35.43	900	9524	4320
12	300	10.43	265	55.98	1422	55.98	1422	56.89	1445	40.28	1023	22.05	560	39.37	1000	11486	5210

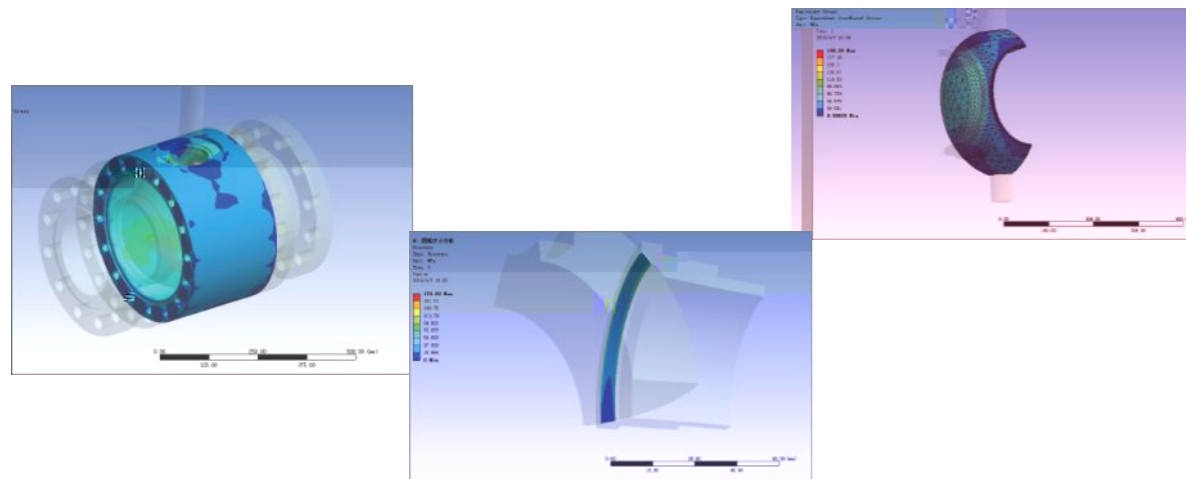
Class 2500

D		L			H1		H2		W		V								
in	mm	RF	BW	RTJ	in	mm	in	mm	in	mm	in	mm	lb	kg					
2 1/2	50*40	1.65	42	1.50	38	17.76	451	17.76	451	17.87	454	13.88	352.5	6.30	160	19.69	500	452	205
3 1/2	80*50	2.44	62	1.65	42	22.76	578	22.76	578	22.99	584	14.65	372	7.09	180	23.62	600	683	310
4 1/2	100*80	3.43	87	2.44	62	26.50	673	26.50	673	26.89	683	19.45	494	8.27	210	23.62	600	948	430
6 1/2	150*100	5.16	131	3.43	87	35.98	914	35.98	914	36.50	927	26.69	678	14.96	380	29.92	760	1918	870
8 1/2	200*150	7.05	179	5.16	131	40.24	1022	40.24	1022	40.87	1038	35.04	890	19.29	490	29.92	760	5071	2300
10 1/2	250*200	8.78	223	7.05	179	50.00	1270	50.00	1270	50.87	1292	37.64	956	19.76	502	35.43	900	8025	3640
12 1/2	300*250	10.43	265	8.78	223	55.98	1422	55.98	1422	56.89	1445	40.28	1023	22.05	560	39.37	1000	9921	4500

- 1.
- 2.
- 3.
- 4.
- 5.
- 6.



Neway CAD, Solidworks, NX, Ansys, Fesafe, Cfdesign



		Class(LB)					
BM		1	150	2.0Mpa	R		G
BBM		3	300	5.0Mpa	J	RTJ	M
BSM		4	400	6.8Mpa	B		P
		6	600	10.0Mpa	S		BS
BSK	()	8	800	14.0Mpa	N	NPT	H
		9	900	15.0Mpa	SN	() / ()	L
		15	1500	25.0Mpa			C
		25	2500	42.0Mpa			350N)

